

# ST. CROIX DAVIT MOUNT

## SPECIFICATIONS ORDER FORM – PART 209/509

ALL of the following information is needed to process your order.

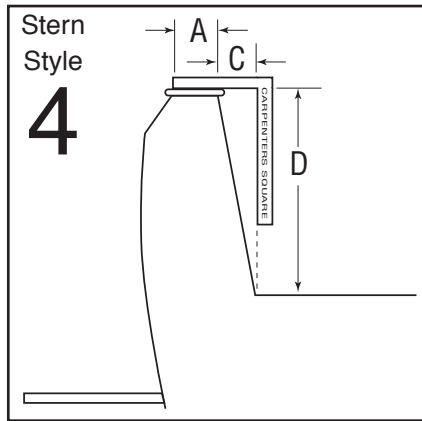
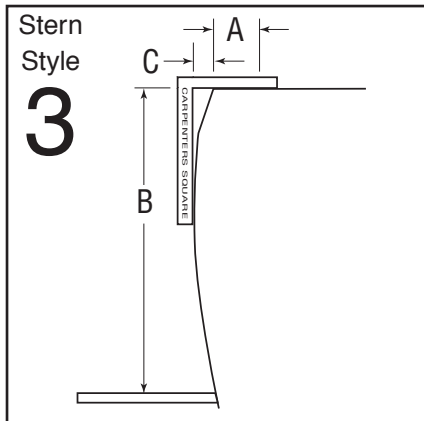
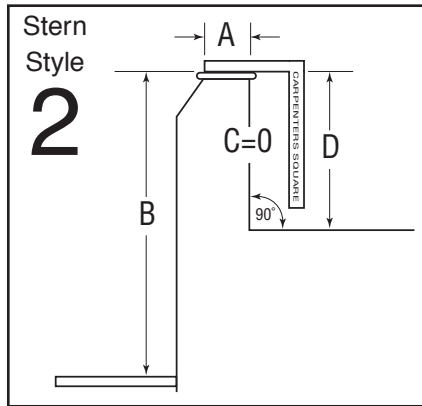
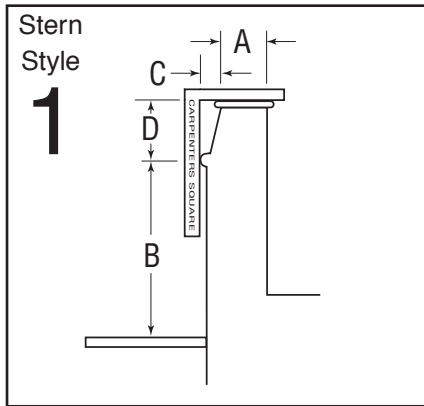
Boat Brand: \_\_\_\_\_ Boat Size: \_\_\_\_\_

Boat Model: \_\_\_\_\_ Boat Year: \_\_\_\_\_

**Now** select the stern style (1 – 4) that most closely resembles your boat then fill in the dimensions (A – D). Stern Style: \_\_\_\_\_

Dimension A: \_\_\_\_\_ Dimension C: \_\_\_\_\_

Dimension B: \_\_\_\_\_ Dimension D: \_\_\_\_\_



### Shipping Instructions

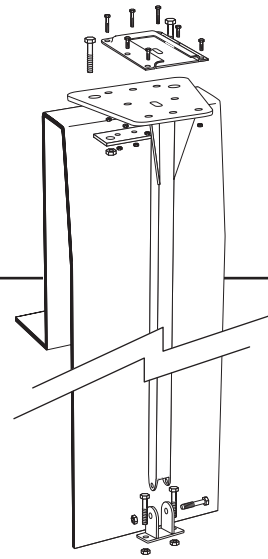
Name: \_\_\_\_\_

Address: \_\_\_\_\_

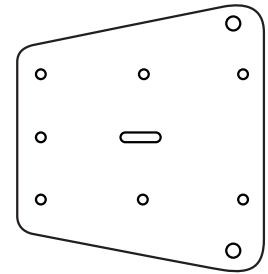
City: \_\_\_\_\_ State: \_\_\_\_\_ Zip: \_\_\_\_\_

Phone: ( \_\_\_\_ ) \_\_\_\_\_

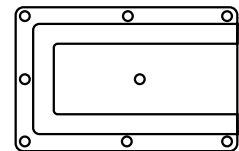
Fax: ( \_\_\_\_ ) \_\_\_\_\_ E-mail : \_\_\_\_\_



Top View Davit Mount



Is Drilled to Fit



the Davit Shoe That Is Included With St. Croix Davits



MARINE PRODUCTS

3900 Dight Ave. South  
Minneapolis, MN 55406

TEL: 612.724.9361

FAX: 612.724.9362

E-mail  
stcroix@davit.com